

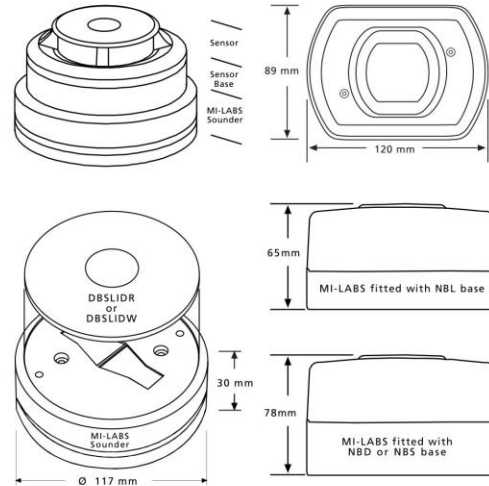
features

- Loop powered
- High sound output
- Low current consumption
- 5 tones available
- Deep or sealed back boxes (wall sounders only)
- Three volume settings as standard
- Available in red or white
- Sounders designed to meet EN54 Part 3
- Rotary DECADE address switches (01-99)

The Morley-IAS addressable audible warning devices form a co-ordinated range of high quality, high performance products. Designed for use with the ZX series intelligent multi protocol fire alarm control panels, these products feature unique styling, protected electronics, simple tone selection and high efficiency.

These products are suitable for most installations. The MI-LABS detector base sounder is particularly suited to hotel bedrooms, allowing the detector and sounder to be installed at the same point. The MI-LABS sounder may also be used as a wall mounted sounder with an optional cover plate.

The sounders have been designed to simplify installation and include terminals for both in and out going cables and an earth termination for cable screens. The electronic components in the sounders are protected by a cover to prevent damage during installation. All models are supplied with full instructions.



Morley-IAS Addressable Audible Warning Devices Data Sheet

17/01/02

We reserve the right to change or amend any design or specification in line with our policy of continuing development and improvement.



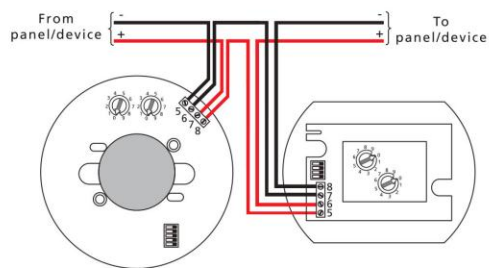
mechanical

Dimensions:	See first page.
Weight:	
Base sounder:-	200 gr. (7 oz)
Wall sounder:-	180 gr. (6 oz)
Operating temperature:	- 10°C to 60°C
Humidity:	10% to 93% non-condensing

electrical

Operating voltage:	15 to 32 Vdc
Terminals:	Screw terminals for up to 2.5 mm ² (13 AWG)

		Sound		
		800 Hz	Dual	800Hz Pulsed
MI-LABS	High	13 mA 90 dB(A) @ 1m ±3dB		
	Medium	9 mA 85 dB(A) @ 1m ±3dB		
	Low	4 mA 80 dB(A) @ 1m ±3dB		
MI-LASR MI-LASW	High	12 mA 100 dB(A) @ 1m ±3dB		
	Med	5 mA 93 dB(A) @ 1m ±3dB		
	Low	2.5 mA 87 dB(A) @ 1m ±3dB		



part numbers

EN54

MI-LABS Addressable, loop powered base sounder

MI-LASR Addressable, loop powered wall sounder, red

MI-LASW Addressable, loop powered wall sounder, white

accessories

For MI-LABS

DBSLID/R Pack of 10 cover plates for base sounder red.

DBSLID/W Pack of 10 cover plates for base sounder white.

For MI-LASR and MI-LASW

NBL/R Low profile base, Red. IP44 rated

NBL/W Low profile base, White. IP44 rated.

NBD/R Deep base, red. IP55 rated.

NBD/W Deep base, white. IP55 rated.

NBS/R Sealed base, red. IP66 rated.

NBS/W Sealed base, white. IP66 rated.

Your Local Distributor